



K&E AERO TOOLS

Aerospace Bearing Staking, Removal & Testing

By National Precision Bearing



Portable Cutter



Portable Tri-Roller Swager



Drill Press Tri-Roller Swager

Bearing Installation Tools

Standard and Custom
Tri-Roller - Portable, Drill Press
Two-wheel, Anvil Impression
Segment, Ball Sleeve

Removal & Extraction Tools

Cutter - Portable, Machine
Push-Out

Testing Tools

Proof Load
Breakaway Torque

Go Kits

Standard MS Bearing Kits
Portable and Drill Press
Specialty Custom Kits

Technical Assistance

Engineering
Training

Industries Served

Commercial/Aerospace
Government/Military
General Industrial



Reliable. Responsive. Relentless.

1-800-453-4569 kandetools.com



Aerospace Bearing Tools & Go Kits for MS Series Bearings

MIL-B-81820		Tri-Roller		Cutter		Install/ Removal	Proof Load Testers		Go Kits	
Bearing #	Bearing #	Portable	Drill Press	Portable	Drill Press	Portable	Portable	Drill Press	Portable	Drill Press
MS14101	MS14103	Model #	Model #	Model #	Model #	Model #	Model #	Model #	Model #	Model #
MS14101-3		NPT3000	NPT1000	NPC3000	NPC1000	NPIR3000	NPPL4101-3	NPPL4101-3 DP	NPK3000	NPK1000
	MS14103-3	NPT3001	NPT1001	NPC3001	NPC1001	NPIR3001	NPPL4103-3	NPPL4103-3 DP	NPK3001	NPK1001
	MS14103-4	NPT3002	NPT1002	NPC3002	NPC1002	NPIR3002	NPPL4103-4	NPPL4103-4 DP	NPK3002	NPK1002
MS14101-4		NPT3003	NPT1003	NPC3003	NPC1003	NPIR3003	NPPL4101-4	NPPL4101-4 DP	NPK3003	NPK1003
	MS14103-5	NPT3004	NPT1004	NPC3004	NPC1004	NPIR3004	NPPL4103-5	NPPL4103-5 DP	NPK3004	NPK1004
MS14101-5		NPT3005	NPT1005	NPC3005	NPC1005	NPIR3005	NPPL4101-5	NPPL4101-5 DP	NPK3005	NPK1005
MS14101-6	MS14103-6	NPT3006	NPT1006	NPC3006	NPC1006	NPIR3006	NPPL4101-6	NPPL4101-6 DP	NPK3006	NPK1006
MS14101-7	MS14103-7A	NPT3007	NPT1007	NPC3007	NPC1007	NPIR3007	NPPL4101-7	NPPL4101-7 DP	NPK3007	NPK1007
	MS14103-7	NPT3008	NPT1008	NPC3008	NPC1008	NPIR3008	NPPL4103-7	NPPL4103-7 DP	NPK3008	NPK1008
MS14101-8		NPT3009	NPT1009	NPC3009	NPC1009	NPIR3009	NPPL4101-8	NPPL4101-8 DP	NPK3009	NPK1009
	MS14103-8	NPT3010	NPT1010	NPC3010	NPC1010	NPIR3010	NPPL4103-8	NPPL4103-8 DP	NPK3010	NPK1010
MS14101-9		NPT3011	NPT1011	NPC3011	NPC1011	NPIR3011	NPPL4101-9	NPPL4101-9 DP	NPK3011	NPK1011
	MS14103-9	NPT3012	NPT1012	NPC3012	NPC1012	NPIR3012	NPPL4103-9	NPPL4103-9 DP	NPK3012	NPK1012
MS14101-10		NPT3013	NPT1013	NPC3013	NPC1013	NPIR3013	NPPL4101-10	NPPL4101-10 DP	NPK3013	NPK1013
	MS14103-10	NPT3014	NPT1014	NPC3014	NPC1014	NPIR3014	NPPL4103-10	NPPL4103-10 DP	NPK3014	NPK1014
	MS14103-12	NPT3015	NPT1015	NPC3015	NPC1015	NPIR3015	NPPL4103-12	NPPL4103-12 DP	NPK3015	NPK1015
MS14101-12		NPT3016	NPT1016	NPC3016	NPC1016	NPIR3016	NPPL4101-12	NPPL4101-12 DP	NPK3016	NPK1016
MS14101-14		NPT3017	NPT1017	NPC3017	NPC1017	NPIR3017	NPPL4101-14	NPPL4101-14 DP	NPK3017	NPK1017
	MS14103-14	NPT3018	NPT1018	NPC3018	NPC1018	NPIR3018	NPPL4103-14	NPPL4103-14 DP	NPK3018	NPK1018
MS14101-16		NPT3019	NPT1019	NPC3019	NPC1019	NPIR3019	NPPL4101-16	NPPL4101-16 DP	NPK3019	NPK1019
	MS14103-16	NPT3020	NPT1020	NPC3020	NPC1020	NPIR3020	NPPL4103-16	NPPL4103-16 DP	NPK3020	NPK1020

Housing Stake & Sleeve Swage

Other methods of bearing retention include staking the housing over the bearing or using a sleeve over the outer race and the housing. This can be accomplished with various methods including ball and segment impression staking using flat rollers.

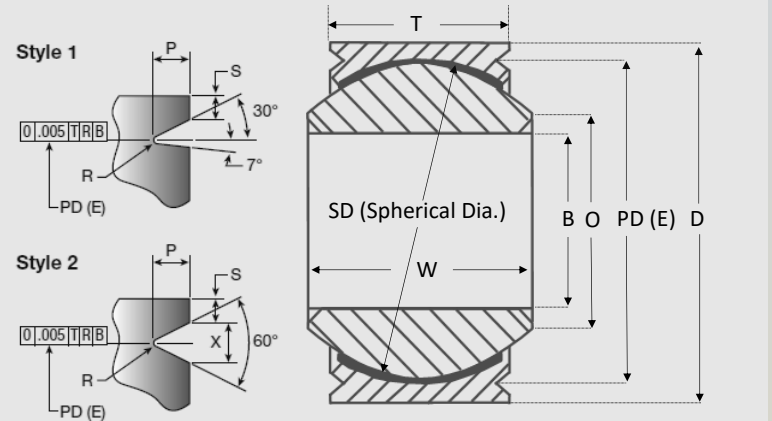
Standard & Custom Go Kits



Custom Tool Capability



Custom designed tools can be manufactured to meet your application requirements. A complete bearing size description and housing as listed below and any clearance restrictions must be known for proper design.



SPHERICAL BRG	B	D	W	T	O	P	R	S	X	SD	PD (E)